

## Level switch

# FG



### Description

The level switch serie FG is designed to control fluid level in tanks in an simple and effective way. The switching function through the reed contact (N/O or N/C contact) is determined by the installation position. The switching function can be reversed by simply rotating the level switch for 180°.

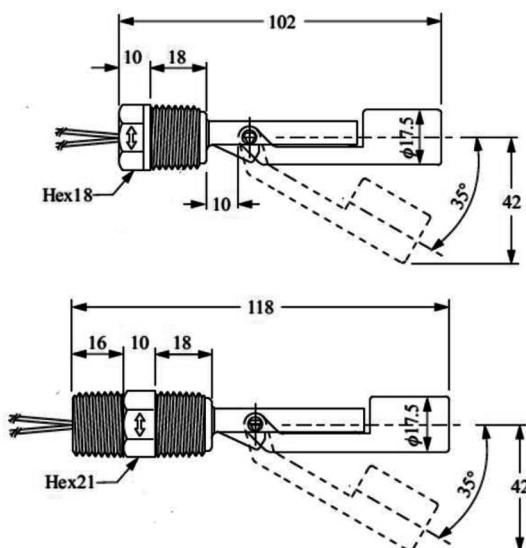
### Technical specifications

<b>Connector</b>	Male thread G 1/2
<b>Max. pressure</b>	FG1, FG2 10 bar - FGP 4 bar
<b>Contact</b>	N/O or N/C depending on the installation
<b>Electrical rating</b>	Reed, max 240 V AC DC, max 40 W, max 0,5 A
<b>Contact resistance</b>	max 80 mOhm
<b>Min. contact force</b>	400 V DC / 1 sec.
<b>Collegamenti elettrici</b>	PVC braided cable AWG 24, 2 wires, 1 m length
<b>Material</b>	Polypropylene
<b>Specific fluid weight</b>	> 0,6 g/cm <sup>3</sup>
<b>Installation</b>	Horizontal ±30°
<b>Protection type</b>	IP68
<b>Standards</b>	CE conformity, RoHS



Model	Fluid	Temperature	Body material	Connections
FG1	not aggressive	-10...+80° C	Polypropylene	single
FG2	not aggressive	-10...+80° C	Polypropylene	double
FGP	not aggressive	-10...+80° C	Polypropylene	single

### Dimensions (mm)



The contents are subject to revision or change without notice.